

ATEX Worklite

Zones: 1, 2, 21 and 22



Product Overview

The ATEX Worklite is a rechargeable high output LED floodlight for use in harsh remote applications for extended periods, as it offers unique levels of light output, operational duration and robustness in a self-contained battery powered lamp, and is CE marked to the ATEX Directive for safe use in Zones 1 and 2 potentially explosive gas, vapour, mist and dust atmospheres, where a T4 temperature class permits.

Three ATEX Worklite models are available: WL-85 with a 12 LED lamp head giving over 1000 lumens output, WL-70 with a 6 LED lamp head giving over 500 lumens output and WL-80 with a 12 LED lamp head plus the smaller battery of WL-70 giving a more portable unit with 1000 lumens of light output. All models deliver a piercing 30° beam and a flood of lower level fringe light and for low maintenance the LED light source has a 25,000-hour life.

The duration of WL-85 and WL-70 are up to 12 hours on 'high power' and up to 24 hours on 'low power' and WL-80 is up to 6 hours on 'high power' and up to 12 hours on 'low power'. In addition to dual light output levels, the control circuit manages switch function, battery level indication, emergency powerfail illumination and low battery cut-off, maintaining and protecting the battery from deep discharge damage.

The ATEX Worklite's stainless steel construction is designed to withstand the rigours and corrosion in harsh industrial and offshore applications, plus the battery and control circuit are within a box enclosure giving IP65 protection from ingress of dust and water jets. The anodised aluminium lamp pivotable head is also IP65 sealed and designed as a heatsink for the LED light source, plus has an impact resistant 6mm toughened glass lens. In shot blasting and painting applications, the lens can be protected using a disposable antistatic lens guard (3 supplied).

Features & Benefits

- ATEX Approved for Zone 1 explosive gas and dust atmospheres
- High power white LED beam with flood of lower level fringe light
- LED light source 'fitted for life', no bulb replacement required
- Long duration, up to 12 hours full power, 24 hours half power
- Robust durable stainless steel construction
- Locking pivot head to direct light
- Toughened glass lens with optional disposable lens guard
- Rechargeable high capacity battery, fully managed
- State of charge LED indication
- Supplied with a mains charger with state of charge indication, powered from 100 to 254Vac

Certifications



Distributed by:
Safety Lamp of Houston, Inc.
1816 Rotary Dr.
Humble, TX 77338

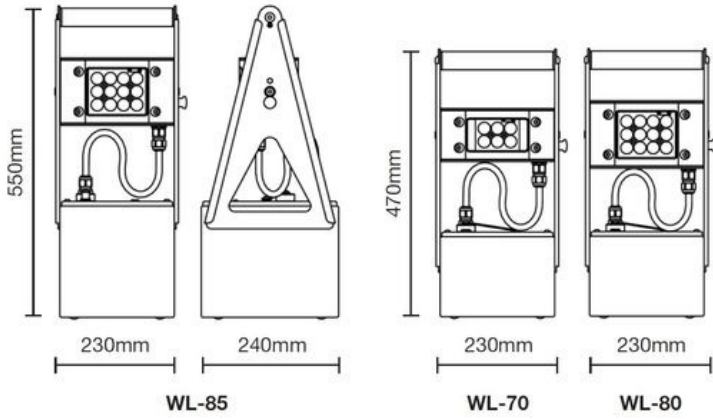
P: (281) 964-1019
F: (281) 964-1040
E: sales@safetylampofhouston.com
W: www.safetylampofhouston.com

Technical Specification

Product Reference		WL-70	WL-80	WL-85
Product Description		High Power Rechargeable Battery Worklite 6 LED	High Power Rechargeable Battery Worklite 12 LED	
Code		II 2 GD Ex e ib mb IIC T4 Ex tD A21 IP65 T135°C		
Type of Protection		'e' Increased Safety, 'ib' Intrinsic Safety, 'mb' Encapsulation, tD Enclosure Protection		
Area of Classification (Gas)		Zones 1 and 2, Gas Groups IIA, IIB, IIC		
Temp. Classification (Gas)		T4		
Area of Classification (Dust)		Zones 21 and 22		
Max Surface Temp. (Dust)		T135°C		
Ambient Temperature		-20°C to +40°C		
Certificate		Sira07ATEX3027		
Enclosure		Stainless Steel with Aluminium LED Lamp Head		
Lens		Toughened Glass Lens Supplied with 3 Anti-static Lens Guards		
Beam Type		Spot Beam with a Flood of Low Level Fringe Light		
Light Source:	Type	High Power LED		
	Power / Output	6 x 3 Watt LEDs / Up to 510 lm	12 x 3 Watt LEDs / Up to 1020 lm	
	Bulb Life	25,000hrs+ (Fitted for Life)		
Power Source:	Part No.	W-218	W-235	
	Battery Type	Rechargeable Battery, Sealed Gel Lead Acid		
	Volts	12V		
	Capacity	18Ah	33Ah	
	Life	Up to 500 Recharge Cycles		
Low Battery Indicator		Yes		
Light Duration - High / Low		Up to 12 hrs / 24 hrs	Up to 6hrs / 12hrs	Up to 12 hrs / 24hrs
Ingress Protection		IP65 to EN60529: 1992		
Weight (inc. battery)		16kg	16.5kg	23kg
Charger Input		100 - 254 Vac		
Recharge Time		8hrs	12hrs	

- All information has been gathered under laboratory conditions, the user must regard the values given as approximate.
- Changes may be made to the above specification without notification, details are available on request.

Product Dimensions



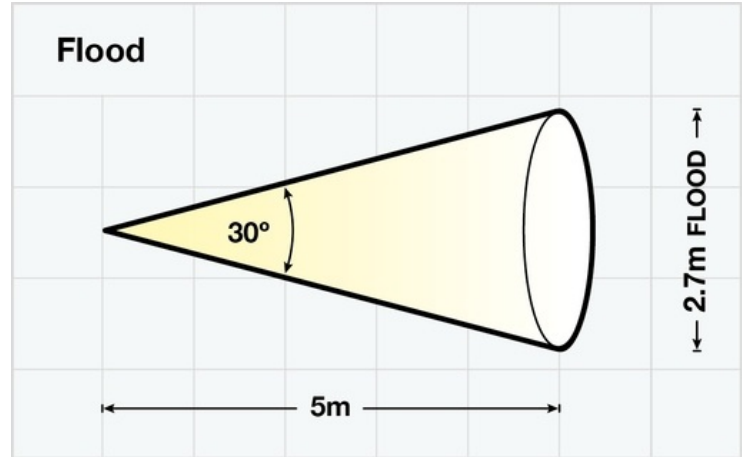
Light Output

WL-70

18W LED Beam (approx 30°)
Peak luminous intensity at 5m **120lux**

WL-85 & WL-80

36W LED Beam (approx 30°)
Peak luminous intensity at 5m **210lux**



Version: SL015 Issue 4

Wolf Safety Lamp Company, Saxon Road Works, Sheffield, S8 0YA, UK

T: +44 (0) 114 255 1051 F: +44 (0) 114 255 7988

E: info@wolf-safety.co.uk www.wolf-safety.co.uk

