

Hazard Lamp

Zones: 0, 1 and 2



Product Overview

The HL-95 Hazard Lamp is a semi-portable, free standing illuminated warning device for use in Zones 0, 1 or 2 hazardous areas. Compliant with the ATEX equipment Directive and approved to the European EN50 range of standards concerning 'Electrical Apparatus for Potentially Explosive Atmospheres', it is a product unique amongst portable 'Ex' lighting equipment.

The HL-95 is powered by an air-depolarised primary cell battery, which has an exceptionally high capacity from a relatively small, light weight package size. A single battery, used in the flashing light output mode, provides continuous duration for up to 1500 hours, or two months. In static mode where the lamp is continuously lit, the duration will be up to 500 hours. Operation of the lamp and selection of flashing or static mode is made from a single three position toggle switch mounted on the outside of the lamp. A further extension to battery duration can be achieved by selecting 'daylight cut-out mode' via the internally mounted selection switch. If the lamp is being used outdoors a light dependant resistor will detect when darkness falls and accordingly activate the lamp. Equally, when light levels increase, it automatically switch off, conserving battery energy. It is estimated that a lamp set to flashing and in daylight cut-out mode could operate for up to six months from a single battery.

The HL-95 has two lenses positioned 'back to back'. The light output from these lenses is greater than 2cd and thereby meets the requirements of BS 3143: part 2, Road danger lamps, for a bi-directional hazard lamp. Light is provided by a pair of 'everlasting' light emitting diodes. The use of such solid state devices allows the lamp to be sited in zone 0, 1 or 2 hazardous areas. The light emitting diodes are coloured amber (red no longer available) and are positioned behind a transparent plastic lens, coloured to correspond with the light emitted. The lens is protected from damage by a stainless steel guard fitted directly to the impact resistant polypropylene lamp body.

Features & Benefits

- Approved for safe use in Zones 0, 1 or 2
- Flashing or static output selectable
- Operation in flashing mode up to 2 months
- Daylight cut-out mode selectable
- Ultra-bright L.E.D. light source
- 180° bi-directional lens arrangement
- Highlighting obstacles in the hazardous area
- Effective demarcation of hazardous area zones

Certifications



Distributed by:
Safety Lamp of Houston, Inc.
1816 Rotary Dr.
Humble, TX 77338

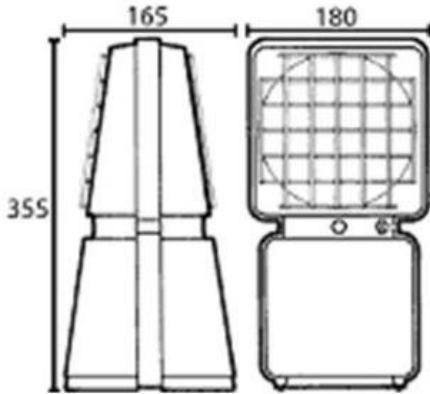
P: (281) 964-1019
F: (281) 964-1040
E: sales@safetylampofhouston.com
W: www.safetylampofhouston.com

Technical Specification

Product Reference	HL-95	
Product Description	Primary Battery Operated Safety Hazard Lamp	
Code	II 1 G EEx ia IIC T4	
Type of Protection	"i" intrinsic safety	
Area of Classification (Gas)	Zones 0, 1 and 2, Gas Groups IIA, IIB and IIC	
Temp. Classification	T4	
Ambient Temperature	-20°C to +40°C	
Certificate	BAS 99 ATEX 1044	
Enclosure	Polypropylene with metal lens guard	
Lens	Transparent plastic, colour as light source	
Light Output	Output in accordance with requirements for BS 3143:pt2, Road danger lamps	
Light Source:	Type	Solid State LED
	Colour	Amber (Red No Longer Available)
Power Source:	Part Number	HL-3155X
	Type	Air Depolarised Primary Cell Battery
	Volts	5.6v
	Capacity	40Ah
	Weight	1.7kg
	Dimensions	L 110 x W 110 x H 140 mm
Light Duration	1500hrs flashing mode, 500hrs static mode	
Ingress Protection	IP21	
Weight (incl. battery)	2.9kg	

- All information has been gathered under laboratory conditions, the user must regard the values given as approximate.
- Changes may be made to the above specification without notification, details are available on request.

Product Dimensions



Version: SL014 Issue 5

Wolf Safety Lamp Company, Saxon Road Works, Sheffield, S8 0YA, UK
T: +44 (0) 114 255 1051 F: +44 (0) 114 255 7988
E: info@wolf-safety.co.uk www.wolf-safety.co.uk

