

Wolflite H-4DCA Handlamp

Zones: 1, 2, 21 and 22



Product Overview

The Wolflite H-4DCA primary cell powered safety handlamp has been 'CE' marked in compliance with the 94/9/EC 'Explosive Atmospheres' (ATEX) Directive, for use in a wide range of potentially explosive gases, vapours, mists and dusts.

The lamp is constructed from a new, exceptionally robust and highly durable thermoplastic material, well able to withstand the effects of heavy industrial use. In addition to this, the material is anti-static, preventing the build up of potentially dangerous electro-static charges. A 6mm thick, toughened, scratch resistant glass lens with rubber seal, together with a second seal fitted at the lens ring and lamp body joint, ensure that the lamp is protected from ingress of dusts and liquids and can therefore be used in the dustiest and wettest conditions possible.

The outstanding light output from this relatively small and compact handlamp is achieved with the use of a high output, high efficiency halogen bulb, rated at 4.8V 0.5A, focused within a 100mm diameter parabolic reflector. This provides the user with an extremely well defined beam of intense white colour.

The H-4DCA handlamp has been approved for use with alkaline manganese, zinc chloride or zinc carbon primary cells. The use of alkaline manganese cells is recommended because of their significantly greater capacity, delivering a brighter white light for up to 20 hours duration from one set of cells; by comparison, nearly four times the duration of zinc D cells. The H-4DCA is supplied complete with a convenient removable shoulder strap.

Features & Benefits

- CE marked to ATEX Directive Explosive gas, vapour and mist certified for zones 1 & 2, up to T4 temperature class
- Dust ignition protected for zones 21 and 22, for dusts with ignition temperatures over 135°C
- Increased light output from halogen bulb
- Alkaline cell approval giving 20 hour duration
- Robust anti-static thermoplastic lamp enclosure
- Ingress protection to IP66
- Lloyd's Register Type Approved
- Supplied with detachable shoulder strap

Certifications



Distributed by:
Safety Lamp of Houston, Inc.
1816 Rotary Dr.
Humble, TX 77338

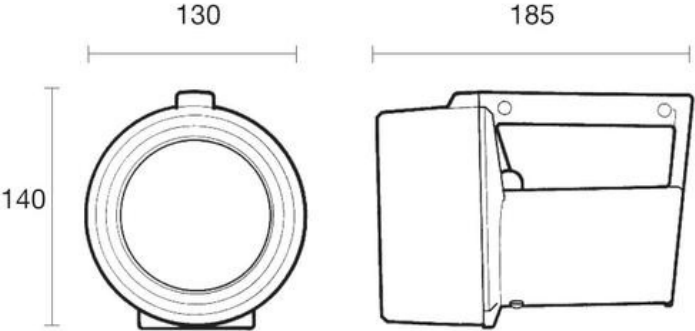
P: (281) 964-1019
F: (281) 964-1040
E: sales@safetylampofhouston.com
W: www.safetylampofhouston.com

Technical Specification

| | | |
|--|--|------------------------------------|
| Product Reference | H-4DCA | |
| Product Description | Safety Handlamp, Primary Cell Powered | |
| Code (ATEX & IECEx) | II 2 GD Ex e ib IIC T4 Gb - Ex tD A21 IP66* T135°C Db *IECEx certified for IP65 | |
| Type of Protection | "e" increased safety, "ib" intrinsic safety, "tD" protection by enclosure | |
| Area of Classification (Gases) | Zones 1 and 2, Gas Groups IIA, IIB and IIC | |
| Temp. Classification (Gases) | T4 | |
| Area of Classification (Dust) | Zones 21 and 22 | |
| Max. Surface Temperature (Dust) | 135°C | |
| Ambient Temperature | -20°C to +40°C | |
| Certificate | ATEX BAS 00 ATEX 2203 / IECEx TSA 05.0017X | |
| Enclosure | Thermoplastic, Anti-Static | |
| Lens | Toughened Glass (6mm) | |
| Beam Type | Spot | |
| Light Source | Part Number | H-141 Only |
| | Type | Halogen Filled Filament Bulb |
| | Volts | 4-8V |
| | Watts (Amps) | 2.4W (0.5A) |
| | Output | 37lm (at nominal voltage) |
| | Life | 20hrs (at nominal voltage) |
| Power Source | Part Number | 4 x H-20 (LR20) |
| | Type | LR20/R20 Primary Cells to IEC60086 |
| | Volts | 4 x 1.5V |
| Light Duration | Up to 20hrs | |
| Ingress Protection | ATEX - IP66 to EN60529:1992 / IECEx - IP65 | |
| Weight | 1.45Kg (incl. cells) | |

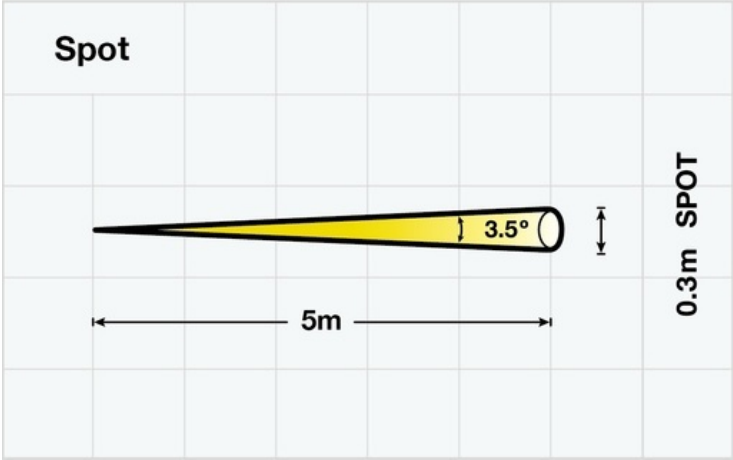
- All information has been gathered under laboratory conditions, the user must regard the values given as approximate.
- Changes may be made to the above specification without notification, details are available on request.

Product Dimensions



Light Output

2.4W Spot Beam (approx. 3.5°)
Peak luminous intensity at 5m **960 lux**



Version: SL023 Issue 4

Wolf Safety Lamp Company, Saxon Road Works, Sheffield, S8 0YA, UK
T: +44 (0) 114 255 1051 F: +44 (0) 114 255 7988
E: info@wolf-safety.co.uk www.wolf-safety.co.uk

