

WOLF ATEX COMPACT SAFETY LED TORCH

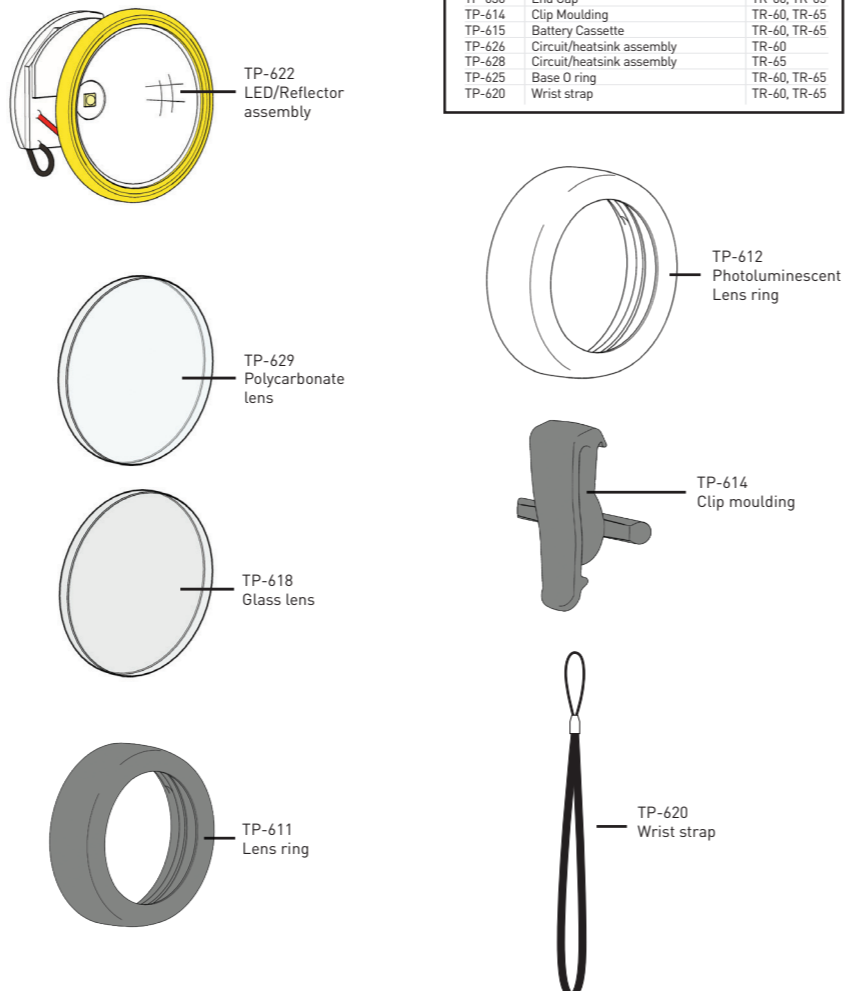
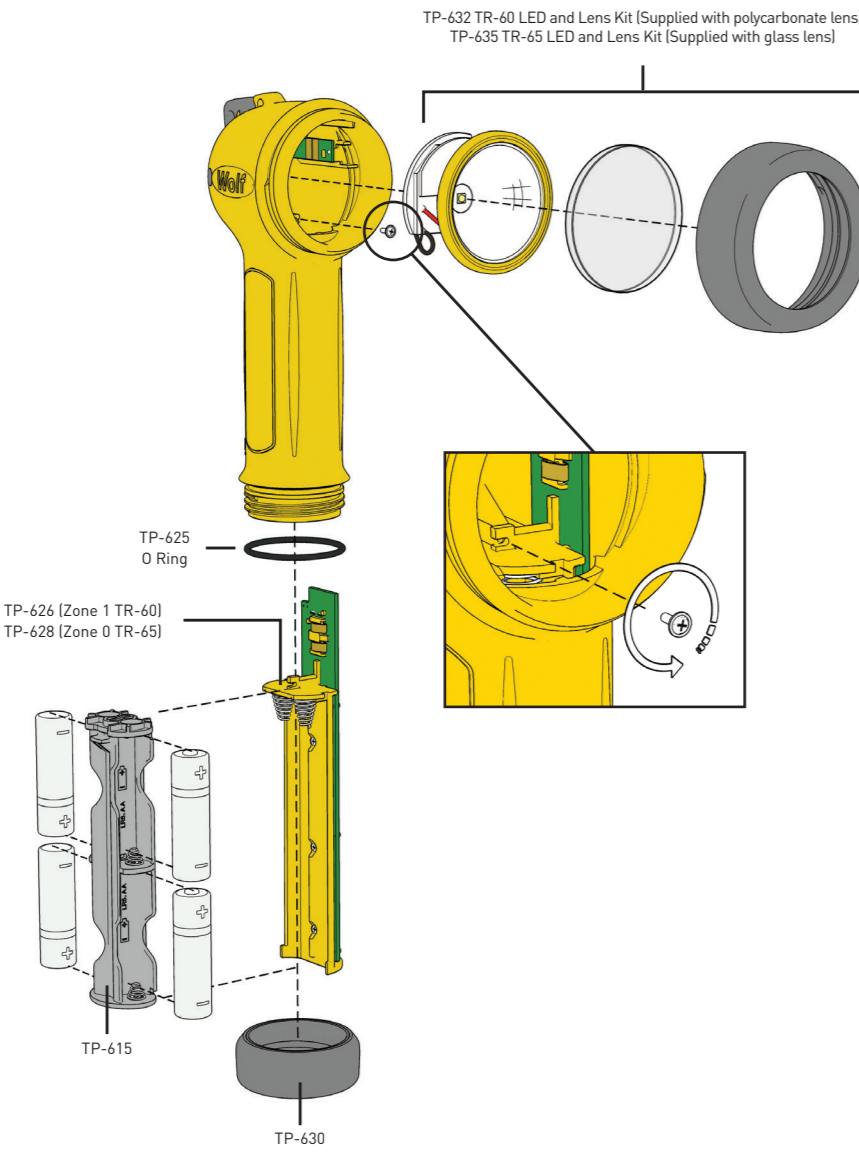
TR-60, Zone 1, 21
TR-65, Zone 0, 21

- ATEX and IECEx Certified for explosive gas and dust atmospheres
- Compact and lightweight ergonomic torch design
- Ingress Protection IP67
- Single handed switching
- 3 power modes (TR-65 only)
- Low battery warning
- Very low maintenance



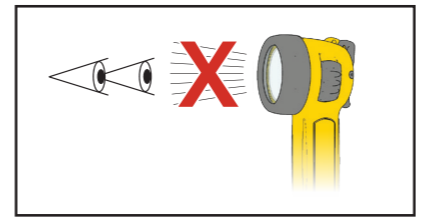
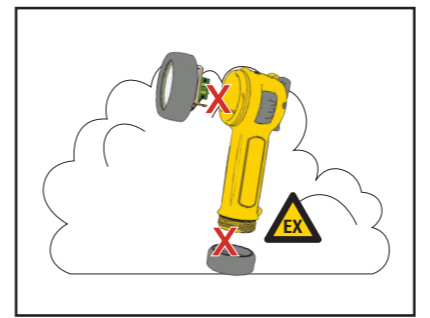
Wolf Safety Lamp Company
Saxon Road Works,
Sheffield S8 0YA, England
Tel: +44 114 255 1051
Fax: +44 114 255 7988
E-mail: info@wolfsafety.com
Website: www.wolfsafety.com

TP-610 issue 2
DF463
MMD/4.20 2020
Registered design 006 641 890



Spares list

Part No	Description	Used On
TP-632	TR-60 LED & Lens kit (inc polycarbonate lens)	TR-60
TP-635	TR-65 LED & Lens kit (inc glass lens)	TR-65
TP-611	Lens Ring	TR-60, TR-65
TP-612	Photoluminescent Lens Ring	TR-60, TR-65
TP-618	Lens (Glass)	TR-60, TR-65
TP-629	Lens (Polycarbonate)	TR-60, TR-65
TP-622	LED/Reflector assembly	TR-60, TR-65
TP-630	End Cap	TR-60, TR-65
TP-614	Clip Moulding	TR-60, TR-65
TP-615	Battery Cassette	TR-60, TR-65
TP-626	Circuit/heatsink assembly	TR-60
TP-628	Circuit/heatsink assembly	TR-65
TP-625	Base O ring	TR-60, TR-65
TP-620	Wrist strap	TR-60, TR-65



IECEx Scheme Certification

IECEx Scheme Certificate Number:
IECEx BAS 11.0116

TR-60 Ex ib I Mb/IIC T3/T4 Gb
Ex ib IIIB T200°C Db

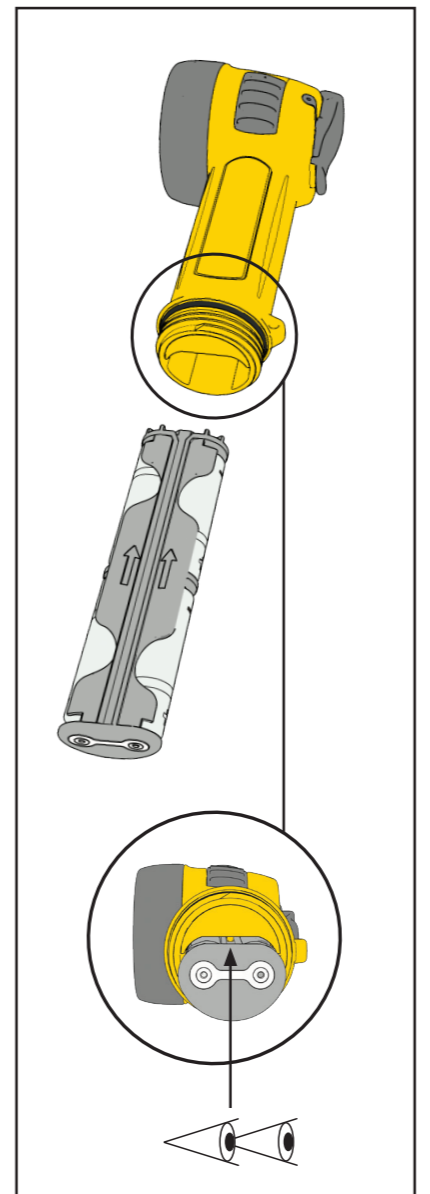
TR-65 Ex ia I Ma/IIC T3/T4 Ga
Ex ib IIIB T200°C Db

Temperature Ambient: = -30°C to +40°C
IEC Standards Applied
IEC60079-0:2017, IEC60079-11:2011.
For T3/T4 battery options, see table.

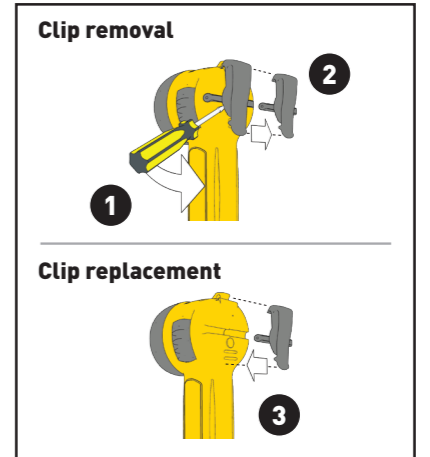
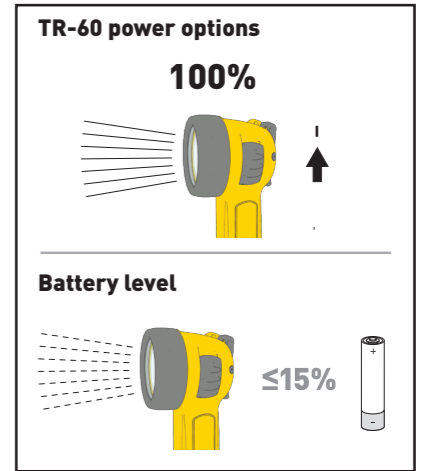
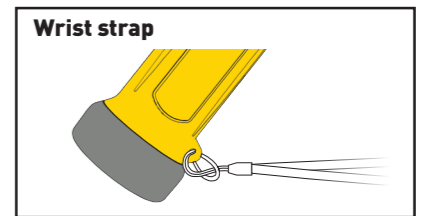
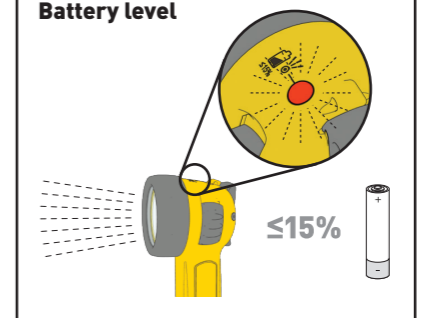
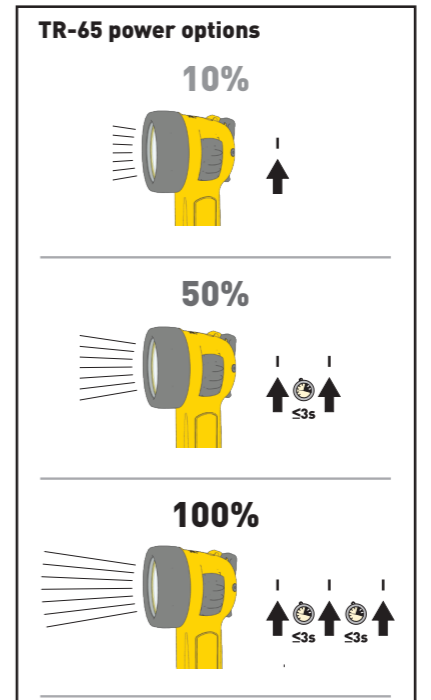
Battery Options Table

4 x AA Wolf part no. TP-295 (pack of 4)
LR6 to IEC 60086 [AA]

	T4	T3
LR6	Industrial by Duracell, Duracell Procell, Duracell Plus, Procell (Grey), Duracell MN1500, Energizer Industrial, Energizer Ultra +, Energizer EN91, Energizer E91	✓
R6	✓	✓

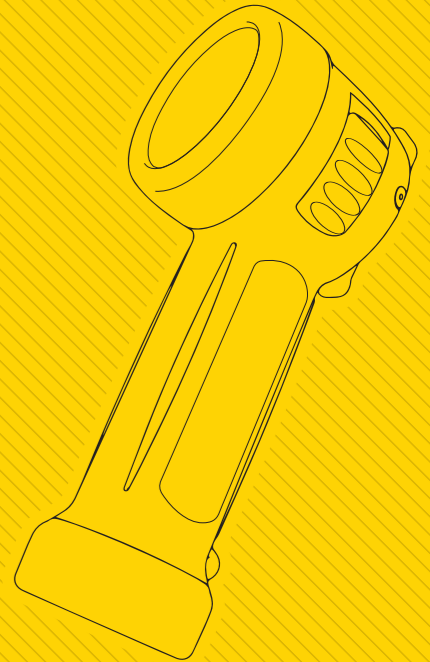


EN IEC 60079-17



WOLF ATEX COMPACT SAFETY LED TORCH

ATEX approved for explosive gas and dust atmospheres



TR-60
TR-65

Operation and Maintenance Instructions



